

Errata for Log Cabin Star Quilt Pattern #80080

Materials list on envelope back:

Dark 2: 1/4 yard

Dark 3: 1/4 yard

Page 7,

For the Diamond (Star) Chimney 1: cut 1 strip 2 1/4" x WOF.

Page 10, Illustration F:

Illustration F should show the top left inside corner of the strip at the edge of the ruler, so that a triangle is formed, not a trapezoid as shown.

Page 14, Cutting the Shapes:

The Triangle block layout illustration is incorrect. It should be a mirror image of the Reverse triangle block layout.

Pages 10-14,

A PDF of the corrected pages are attached.

Right (Leans to the Right)

1. Using 1½" strips, position the ruler at the right end of the strip, with the ¼" line along the top edge of the strip. Cut the end of the strip to a 60° angle. **Figure E**

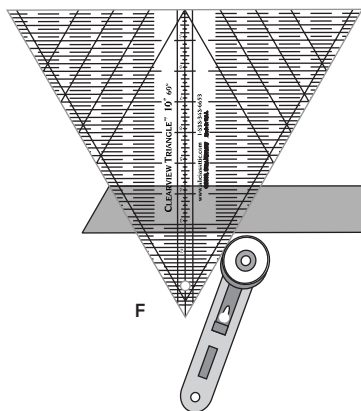
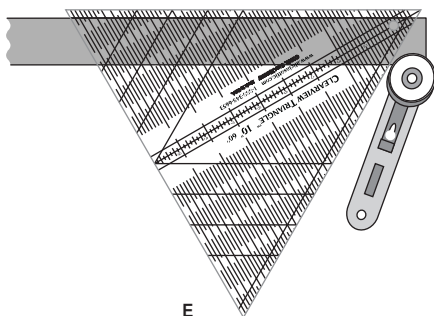
2. Rotate the strip so cut end is to the left. Place the ruler point down with the edge at the inside corner. Align the ruler line with the top of the strip for the size being cut.



*Rule lines used in this project are 2¼", 3¼", and so on up to 7¼". The 4¼" is shown below. **Figure F***

3. Cut along the *right side only*. Check the size with the Diamond Log pattern (pages 12 and 13) and your fabric wrong side up.

4. Position your ruler the same way for remaining diamond logs.



Sewing the Diamond Blocks

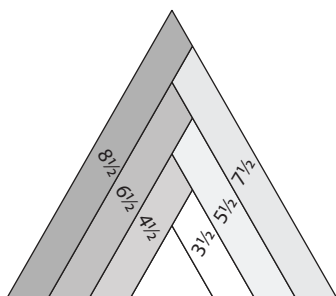
Use ¼" seam allowance.

Now that you have the pieces cut, refer to the diamond block layout (page 8) to sew the logs to the chimney. Start in the center with the shortest piece. Watch that it is on the correct side. Then add the logs in clockwise order. Press seams outward after each log is added.

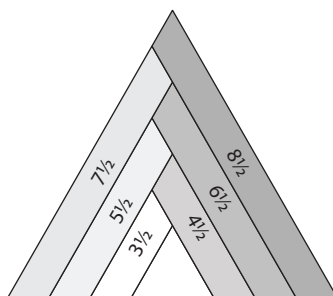
Triangle Block

Cutting the Shapes

Refer to the illustrations below to cut the shapes and for piecing order. You need 12 of each shape to make the 12 triangle blocks in the project—6 and 6 reverse. As you cut the shapes, lay them out in this design, so you can see it come together. This will also make sewing each block together easier.



Triangle block layout



Reverse triangle block layout

CHIMNEY 2

1. Using a $2\frac{1}{2}$ " strip, position the ruler at the right end of the strip, with the $\frac{1}{4}$ " line along one edge of the strip. Cut the end of the strip to a 60° angle. **Figure A**

2. Rotate the strip so the cut end is to the left. Position the tip of the ruler at a corner of the strip and the $2\frac{1}{2}$ " line (or the line the size of

the triangle) at the edge opposite the corner. Cut along the right side. Check the size with the Chimney 2 pattern (page 13). **Figure B**

3. For the remaining triangles, rotate the ruler, aligning the point and appropriate rule line, and rotary cut on the right side.

